

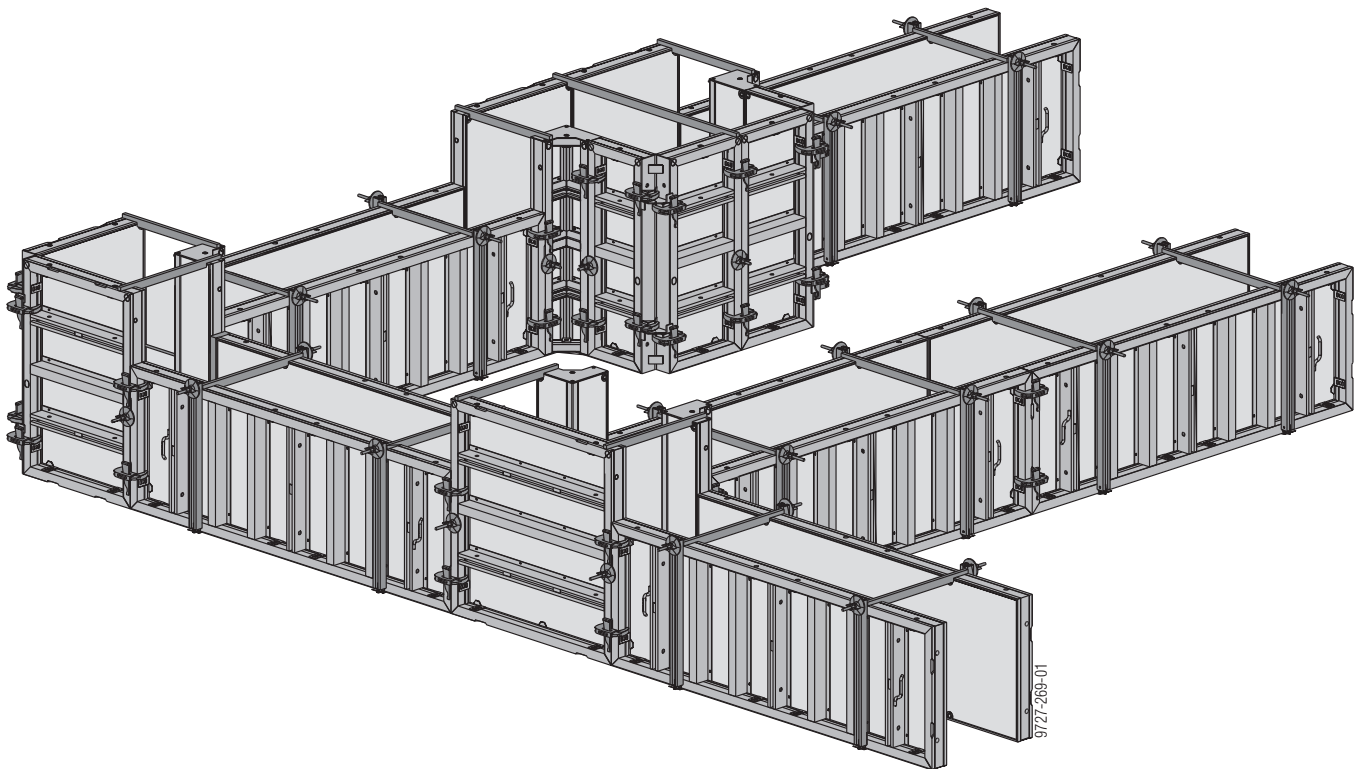
The Formwork Experts.

Foundation formwork Framax Xlife

Framed formwork Framax Xlife

User information

Instructions for assembly and use (Method statement)

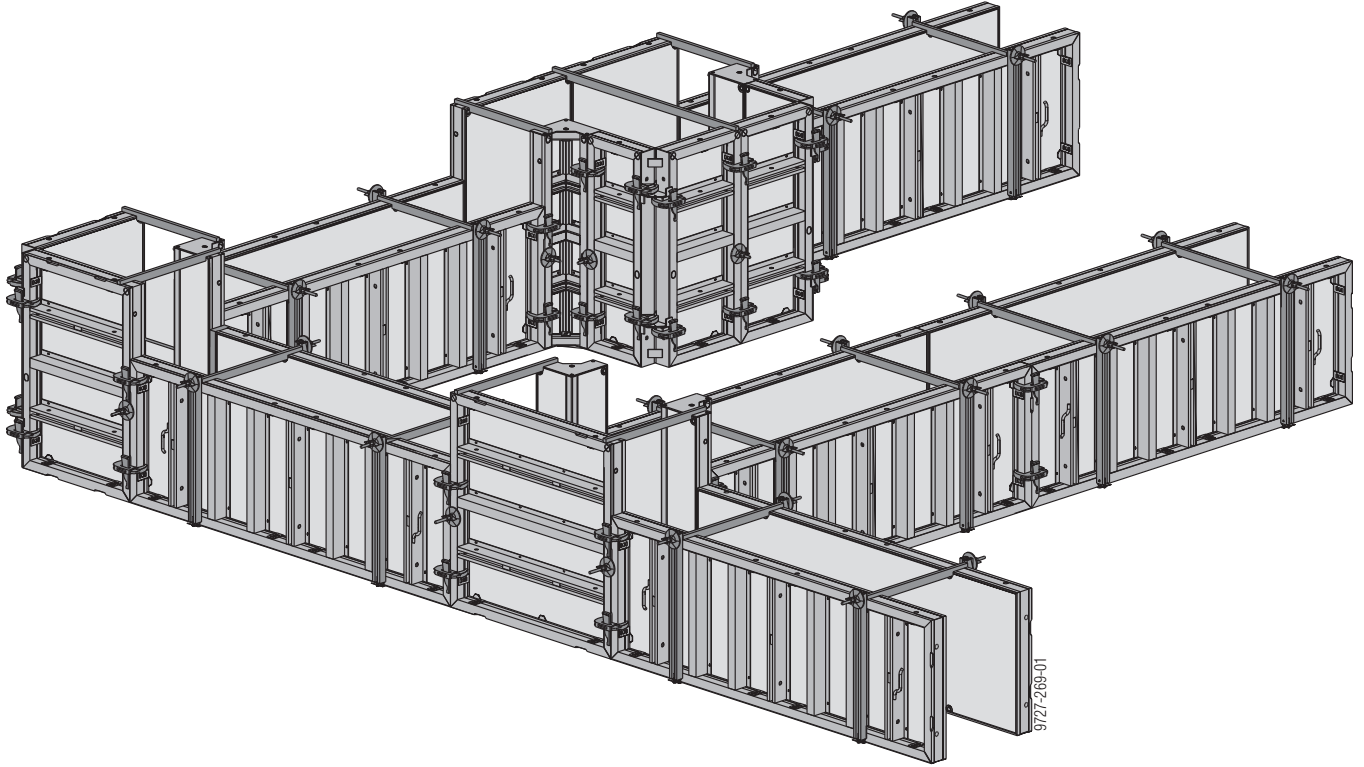


System description

The Framax Xlife panels can also be used for foundations.

This is particularly advantageous where it is intended to continue forming (i.e. the walls) using the same panels. Foundations can quickly be formed with any of the panels, with the panels either upright or horizontal. Quick-

acting clamps and a blow with the hammer are all it takes to join the panels. Length closures and corners are solved just as simply as in "normal" walls. A range of practical accessories makes the work very much easier.



Follow the directions in the "Framed formwork Framax Xlife" User Information booklet!

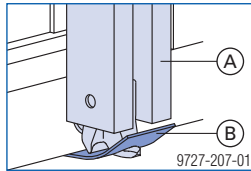
Design of the foundation formwork

Horizontal panels

Tying the panels

- **at top:** with tie-rod 15.0mm and super plate 15.0
- **at bottom:** with Framax foundation clamp and Doka perforated tape

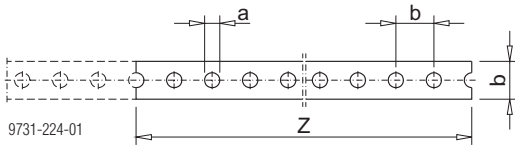
In this way, all widths of wall can be formed, within a 5 cm grid.



- A** Framax foundation clamp
- B** Doka perforated tape 50x2.0mm 25m (expendable)

The **permitted load** for a tie-point with the Framax foundation clamp and the Doka perforated tape is **12 kN**.

Doka perforated tape 50x2.0mm 25m



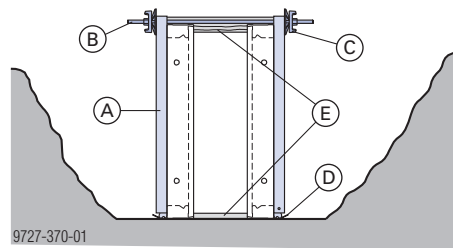
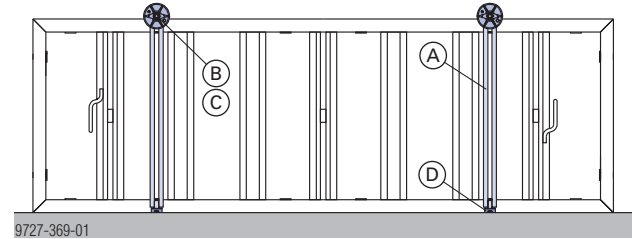
- a ... 18 mm
- b ... 50 mm
- Z ... Length cut off roll: Wall thickness + 40 cm

For pour heights of up to 0.90 m

With panels of up to 0.90 m in width, the foundation clamp allows you to tie the panels above the concrete.

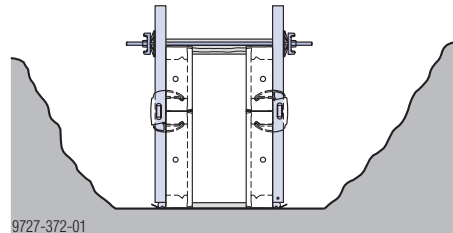
Foundation clamps
2 per panel

Panel 0.90x2.70m



- A** Framax foundation clamp
- B** Tie-rod 15.0mm
- C** Super plate 15.0
- D** Doka perforated tape
- E** Wooden spacer

Panel 0.45x2.70m + 0.30x2.70m



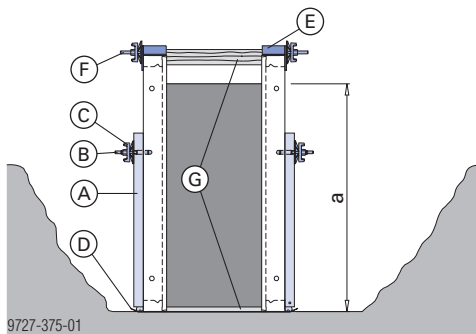
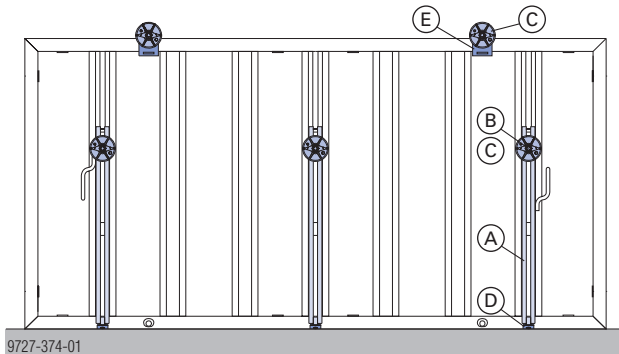
Max. pour height 1.20 m

The foundation clamps are fixed in the continuous hardware slot integrated in the waling profiles of the panels 1.35x2.70 m, using the **Framax clamping bolt 4-8cm**.

The panels are anchored across the top by the **Framax anchoring bracket**.

	Foundation clamp	Anchoring bracket
Panel 2.70m	3	2
Panel 3.30m	4	2

Panel 1.35x2.70m



a ... max. 120 cm

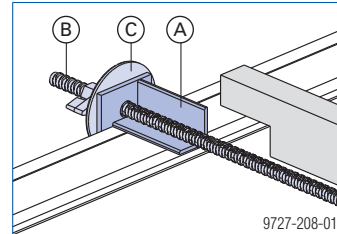
- A** Framax foundation clamp
- B** Framax clamping bolt 4-8cm
- C** Super-plate 15.0
- D** Doka perforated tape
- E** Framax anchoring bracket
- F** Tie-rod 15.0mm
- G** Wooden spacer

Horizontal panels in confined excavation trenches

The use of the **Framax anchoring bracket** for the **top tie** has the following effects:

- Tie-rod is held above panel (not in the concrete)
- Form-tie spacings are freely selectable

Framax anchoring bracket




- A** Framax anchoring bracket
- B** Tie-rod 15.0mm
- C** Super plate 15.0

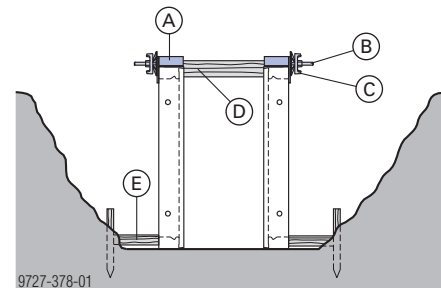
Anchoring brackets
2 per panel

Framax anchoring bracket:

Permitted capacity: 15 kN

 To prevent soiling of the tie-rods placed across the top of the concrete, we recommend using Plastic tubes 22mm.

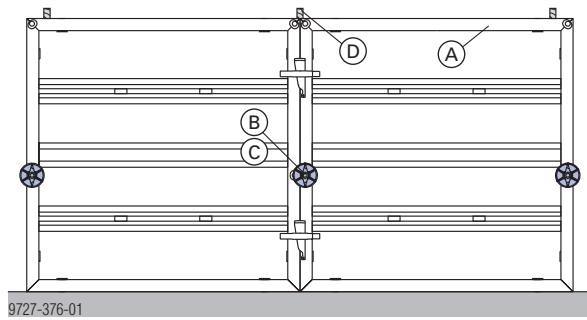
In very narrow trenches, the bottom tie can be replaced by horizontal bracing.



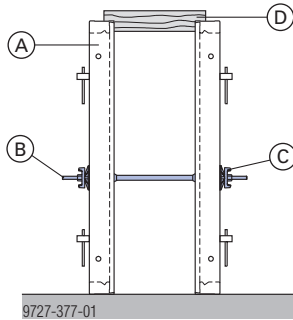
- A** Framax anchoring bracket
- B** Tie-rod 15.0mm
- C** Super plate 15.0
- D** Wooden spacer
- E** Horizontal bracing

Upright 1.35 m high panels

In the example below, one form-tie is sufficient for the height shown.




9727-376-01



9727-377-01

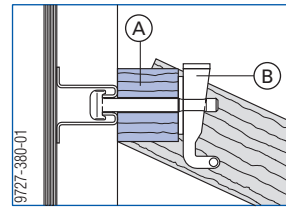
- A** Framax Xlife panel 1.35x1.35m
- B** Tie-rod 15.0mm
- C** Super-plate 15.0
- D** Wooden spacer

 Be sure to fit the wooden spacers exactly as shown!

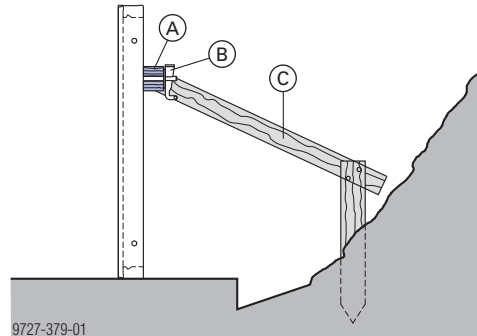
Shoring the panel

With the aid of a connecting timber and an in-place timber brace, you can shore the panels so that they stand firmly.

Connecting timber

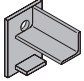
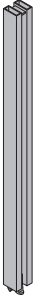
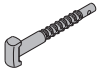



9727-380-01



9727-379-01

- A** Connecting timber
- B** Framax wedge clamp
- C** Timber brace

	[kg]	Article n°	[kg]	Article n°
Framax tie-holder bracket Framax-Ankerhaltewinkel  Painted blue Width: 9 cm Height: 13 cm	1.4	588188000		
Framax foundation clamp 0.90m Framax-Fundamentspanner 0,90m Galvanised 	4.9	588141000		
Framax clamping bolt 4-8cm Framax-Klemmschraube 4-8cm Galvanised Length: 19 cm 	0.39	588107000		
Doka perforated tape 50x2.0mm 25m Doka-Lochband 50x2,0mm 25m 	17.0	588206000		

Near to you, worldwide

Doka is one of the world leaders in developing, manufacturing and distributing formwork technology for use in all fields of the construction sector.

With more than 160 sales and logistics facilities in over 70 countries, the Doka Group has a highly efficient distribution network which ensures that equipment and

technical support are provided swiftly and professionally.

An enterprise forming part of the Umdasch Group, the Doka Group employs a worldwide workforce of more than 5600.

