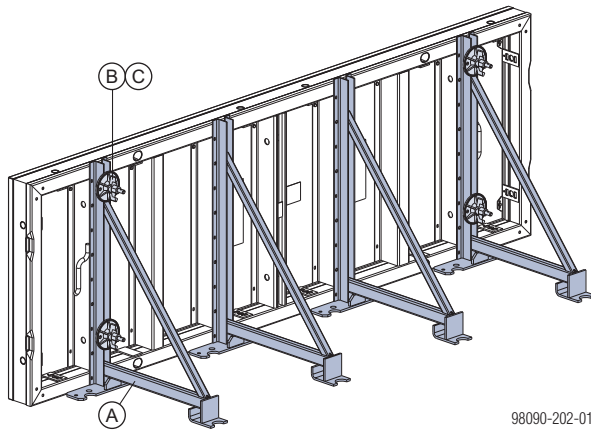


Slab stop-end with Supporting construction

The Supporting construction is used for erecting non-tied, single-sided formwork up to 1.20 m high (e.g. stop ends of floor slabs).



98090-202-01

A Supporting construction

B Framax clamping bolt 4-8cm

C Super plate 15.0

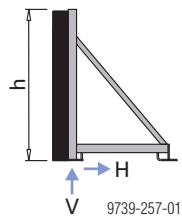


NOTICE

Transfer the vertical and horizontal forces by suitable means!

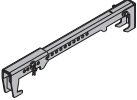
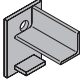
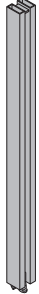
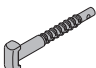

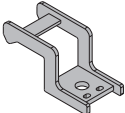


e.g.:


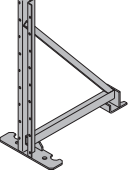
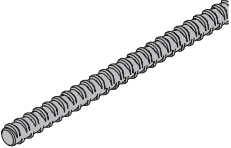

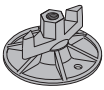

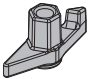



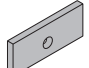
- 2 ground nails per Supporting construction.
- Anchoring with dowel in the blinding layer.


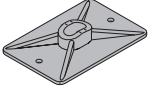

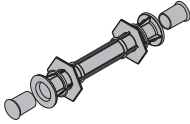
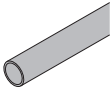
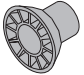
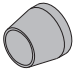
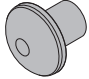
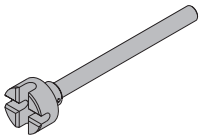
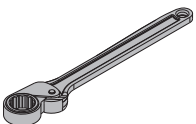
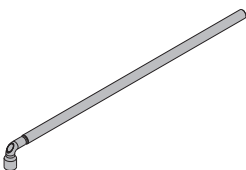


9739-257-01

Pour height h [m]	Influence width [m]	Vertical force V [kN]	Horizontal force H [kN]
0.30	3.00	0.00	3.40
0.45	3.00	0.20	7.60
0.60	1.80	1.00	8.10
0.75	1.15	1.80	8.10
0.90	0.80	2.60	8.10
1.05	0.60	3.40	8.10
1.20	0.45	4.10	8.10

	[kg]	Article n°
Framax head anchor 15-40cm Length: 72 - 81 cm	4.2	588969000
Framax head anchor 15-100cm Length: 131 - 141 cm Framax-Kopfanker	6.1	588970000
 Galvanised, powder-coated		
Framax tie-holder bracket Framax-Ankerhaltewinkel	1.4	588188000
 Painted blue Width: 9 cm Height: 13 cm		
Framax foundation clamp 0.90m Framax-Fundamentspanner 0,90m	4.9	588141000
 Galvanised		
Framax clamping bolt 4-8cm Framax-Klemmschraube 4-8cm	0.39	588107000
 Galvanised Length: 19 cm		
Doka perforated tape 50x2.0mm 25m Doka-Lochband 50x2,0mm 25m	17.0	588206000
		
Framax floor fixing plate Framax-Bodenhalter	0.87	588628000
 Galvanised Length: 17.6 cm Width: 7.7 cm Height: 8.5 cm		
Doka express anchor 16x125mm Doka-Expressanker 16x125mm	0.31	588631000
 Galvanised Length: 18 cm Follow the directions in the "Fitting instructions"!		
Doka coil 16mm Doka-Coil 16mm	0.009	588633000
 Galvanised Diameter: 1.6 cm		

	[kg]	Article n°
Connecting timber Anklemmholz	0.70	176030000
 Varnished yellow Width: 10 cm		
Supporting construction Abstützwinkel	10.7	588477000
 Galvanised Length: 66 cm Width: 37 cm Height: 91 cm		
Tie rod system 15.0		
Tie rod 15.0mm galvanised 0.50m	0.72	581821000
Tie rod 15.0mm galvanised 0.75m	1.1	581822000
Tie rod 15.0mm galvanised 1.00m	1.4	581823000
Tie rod 15.0mm galvanised 1.25m	1.8	581826000
Tie rod 15.0mm galvanised 1.50m	2.2	581827000
Tie rod 15.0mm galvanised 1.75m	2.5	581828000
Tie rod 15.0mm galvanised 2.00m	2.9	581829000
Tie rod 15.0mm galvanised 2.50m	3.6	581852000
Tie rod 15.0mm galvanisedm	1.4	581824000
Tie rod 15.0mm non-treated 0.50m	0.73	581870000
Tie rod 15.0mm non-treated 0.75m	1.1	581871000
Tie rod 15.0mm non-treated 1.00m	1.4	581874000
Tie rod 15.0mm non-treated 1.25m	1.8	581886000
Tie rod 15.0mm non-treated 1.50m	2.1	581876000
Tie rod 15.0mm non-treated 1.75m	2.5	581887000
Tie rod 15.0mm non-treated 2.00m	2.9	581875000
Tie rod 15.0mm non-treated 2.50m	3.6	581877000
Tie rod 15.0mm non-treated 3.00m	4.3	581878000
Tie rod 15.0mm non-treated 3.50m	5.0	581888000
Tie rod 15.0mm non-treated 4.00m	5.7	581879000
Tie rod 15.0mm non-treated 5.00m	7.2	581880000
Tie rod 15.0mm non-treated 6.00m	8.6	581881000
Tie rod 15.0mm non-treated 7.50m	10.7	581882000
Tie rod 15.0mm non-treatedm	1.4	581873000
Ankerstab 15,0mm		
 		
Super plate 15.0 Superplatte 15,0	1.1	581966000
 Galvanised Height: 6 cm Diameter: 12 cm Width-across: 27 mm		
Wing nut 15.0 Flügelmutter 15,0	0.31	581961000
 Galvanised Length: 10 cm Height: 5 cm Width-across: 27 mm		
Hexagon nut 15.0 Sechskantmutter 15,0	0.23	581964000
 Galvanised Length: 5 cm Width-across: 30 mm		
Framax pressure plate 6/15 Framax-Druckplatte 6/15	0.80	588183000
 Galvanised		

	[kg]	Article n°	[kg]	Article n°
Star grip nut 15.0 G Sternmutter 15,0 G  Galvanised Width: 10 cm Height: 5 cm Width-across: 26 mm	0.47	587544000		
Angle anchor plate 12/18 Winkelplatte 12/18  Galvanised 	1.5	581934000		
Distance piece 20cm Distance piece 25cm Distance piece 30cm Distanzhalter  PE Grey Blue	0.04 0.05 0.06	581907000 581908000 581909000		
Plastic tube 22mm 2.50m Kunststoffrohr 22mm 2,50m  PVC Grey Diameter: 2.6 cm	0.45	581951000		
Universal cone 22mm Universal-Konus 22mm  Grey Diameter: 4 cm	0.005	581995000		
Plug 22mm Verschlussstopfen 22mm  PE Grey	0.003	581953000		
Protective cap 15.0/20.0 Schutzkappe 15,0/20,0  Yellow Length: 6 cm Diameter: 6.7 cm	0.03	581858000		
Tie-rod wrench 15.0/20.0 Ankerstabschlüssel 15,0/20,0  Galvanised Length: 37 cm Diameter: 8 cm	1.9	580594000		
Friction type ratchet SW27 Freilaufknarre SW27  Manganese-phosphated Length: 30 cm	0.49	581855000		
Box spanner 27 0.65m Steckschlüssel 27 0,65m  Galvanised	1.9	581854000		

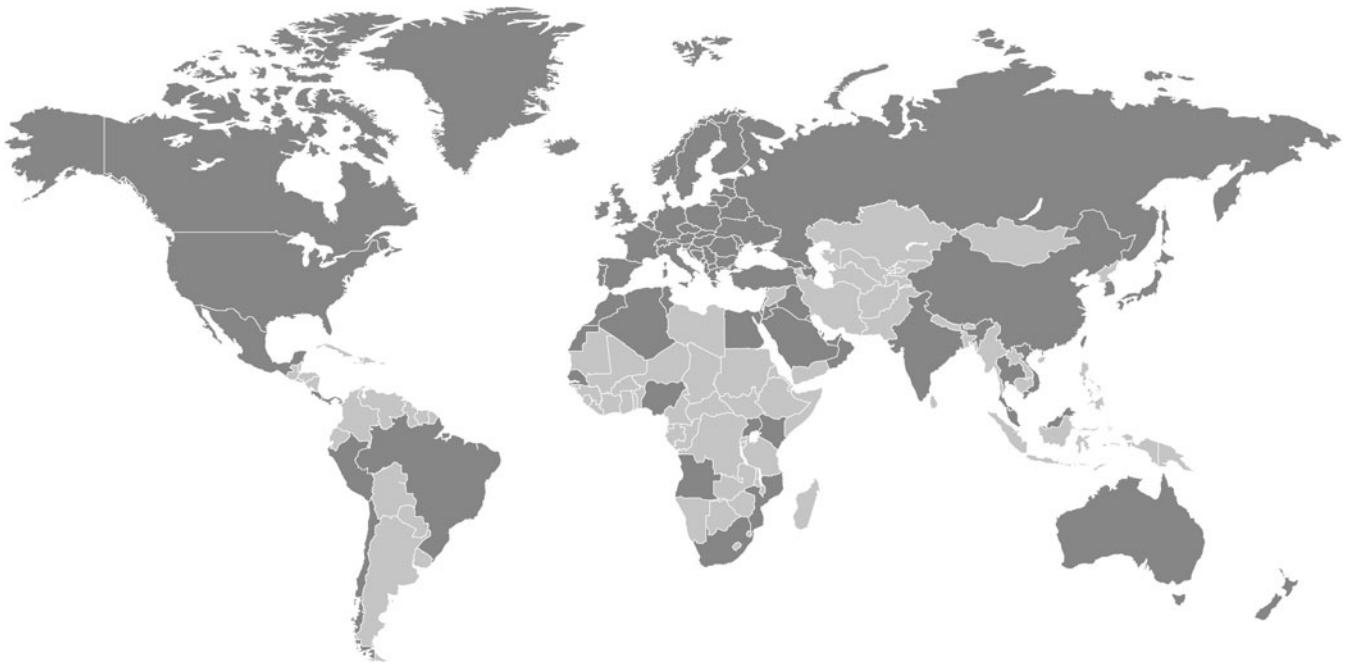
Near to you, worldwide

Doka is one of the world leaders in developing, manufacturing and distributing formwork technology for use in all fields of the construction sector.

With more than 160 sales and logistics facilities in over 70 countries, the Doka Group has a highly efficient distribution network which ensures that equipment and

technical support are provided swiftly and professionally.

An enterprise forming part of the Umdasch Group, the Doka Group employs a worldwide workforce of more than 6000.



www.doka.com/framax-xlife